

## AN INTRODUCTION TO MH HYDRAULICS

MH Hydraulics, previously known as 'Morssinkhof Hydraulics', is the world leader in the field of sales, repair and maintenance of hydraulic pumps, motors, cylinders, valves and components for the mobile, maritime, off-shore, industrial, mining and transport industries. MH Hydraulics is active in more than 90 countries and has been providing outstanding service with its highly trained and specialist staff day-in, day-out for over 45 years.



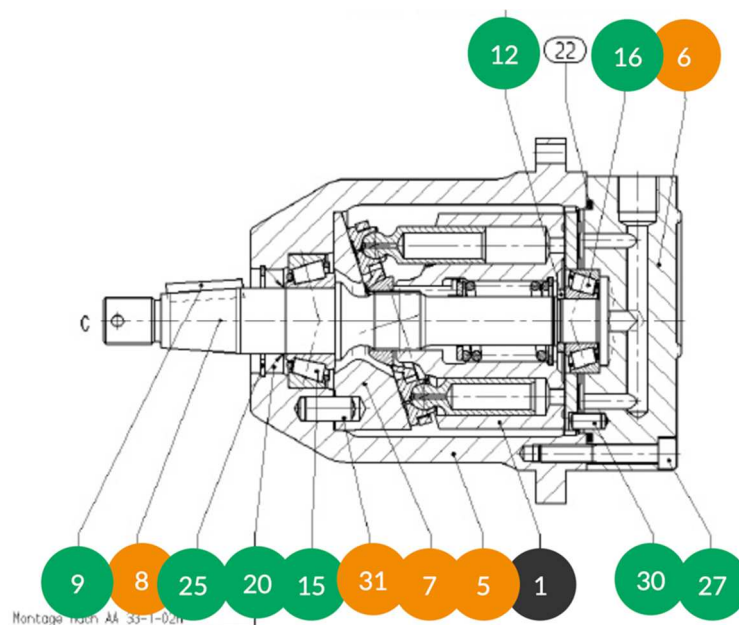
## SALES

MH Hydraulics is your partner for the sale of leading brands of hydraulic components manufactured by Bosch Rexroth, Kawasaki, Staffa, Hägglunds, Hydromatik, Brueninghaus, Denison (Parker), Vickers (Eaton), Hydro-Gigant, Liebherr, Linde, Sauer, AMCA, Tokyo Keiki and Mecabor.

Our ultra-modern warehousing system and extensive stock guarantees the fastest delivery.

MH Online has a large database of hydraulic spare-parts for Bosch Rexroth, Kawasaki (KPM), Staffa and Caterpillar pumps and motors. When you fill in your company business details, we will provide you with a customer-specific log in code so that you can see your prices and special discounts. When the parts are indicated green, you can immediately book your spare parts, 24/7.

Our database with more than 45,000 exploded views of pumps and motors, will help you identify parts quick and easy. You will notice green, orange and black pinpoints. Green means stock, Orange means inquire & Black gets you deeper into the image.



## SERVICE & REPAIR

Due to our extensive stock of spare parts for pumps and motors, we are able to repair your hydraulic pump and motor in the shortest time.

We are a hydraulic brand independent repair facility.

With our state-of-the-art repair facilities in The Netherlands and Singapore, we guarantee quality repair and maintenance of hydraulic pumps, motors, cylinders and components.

All repaired pumps, motors and cylinders are thoroughly tested and delivered with a test report. Repairs are executed in close consultation with the client to ensure transparency and quality.

Hydraulic Field Service: Our team of qualified technicians can be called out for on-site hydraulic service 24/7.



## CRC (CERTIFIED REPAIR CENTER)

With the support of our companies in Spijkenisse, Sharjah (UAE) & Singapore, we have developed area specific repair and market expertise. Our companies support the regional MH CRC's.

With our tagline, 'Hydraulic Repair Solutions', we are partners in hydraulic repair.

CRC's can repair/overhaul hydraulic pumps, motors, cylinders and components. With local management, staff and with MH as a technology partner. CRC's can expect MH assistance with repair guidelines. Remote training courses ensures world-class repairs.

Each CRC is independently managed and has the freedom to add product lines to suit their local market.

MH CRC's will benefit from the growing worldwide CRC network, referrals, manpower pool with combined project management capacity and of course, hydraulic repair expertise. MH can set up complete workshops with hydraulic pump and motor test equipment, seal manufacturing & hose crimping facilities.



## MANUFACTURING

MH Hydraulics has been manufacturing Hydraulic spare parts since 1973.

From the moment Mr. Morssinkhof started repairing Hydraulics, he quickly realized that it was often difficult to find the right spare-parts at the right time.

He then decided to start manufacturing Hydraulic spare-parts for Pump and motor repairs.

Over the next few years, Morssinkhof became the Company to call when in need for difficult-to-find parts.

We produce small and large series of unique hydraulic components. This is supported by our large database of hydraulic component drawings.

In case you have your own design drawings, we can study them in consultation with you and if necessary, give you our recommendation for longer life time solutions.

MH HYDRAULICS' in-house Hydraulic design and quality department guarantees the best quality at market prices.

Difficult-to-find parts are designed in The Netherlands and sourced from reputed partners.

We design and manufacture small or large OEM series and welcome special application component inquiries.





## MISSION - VISION

